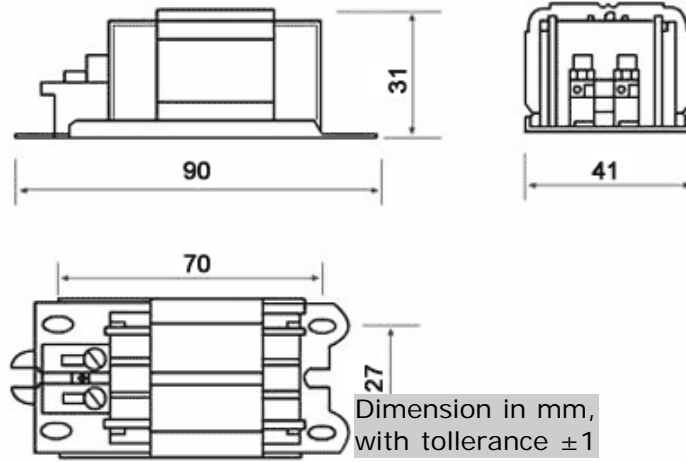
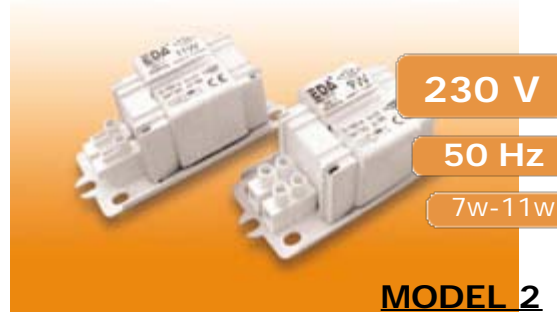




KÜÇÜK FLÜORESAN LAMBALAR İÇİN MANYETİK BALASTLAR



LAMP	BALLASTS						PARALEL COMPENSATION	
	Wattage w	TYPE	Weight kg	ΔT K	*Power Los W	Current A	Cos ϕ	Capacitor $\mu F \pm 10\%$
7	BBM-C07	0,30	65	5,8	0,180	0,27	2	0,05
65	BBM-C09	0,30	65	5,5	0,170	0,31	2	0,06
70	BBM-C11	0,30	65	4,5	0,155	0,47	2	0,07

* Mean value, measured at 25°C copper temperature

** Cos ϕ > 0,90