



## YÜKSEK BASINÇLI SODYUM BUHARLI LAMBALAR İÇİN MANYETİK BALASTLAR

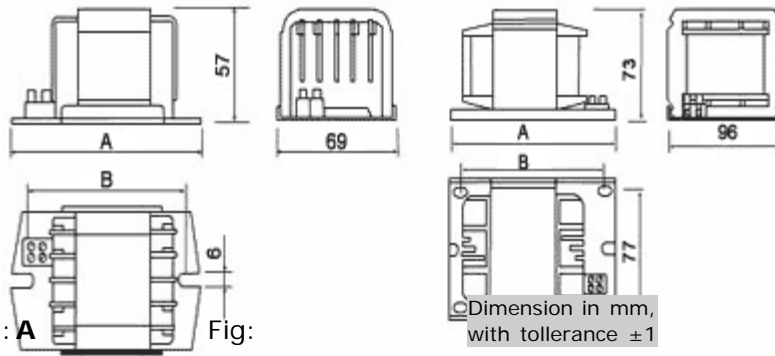


Fig: A  
B

LAMP	BALLASTS								PARALEL COMPENSATION			
	Wattage w	TYPE	Weight kg	$\Delta T$ K	*Power Los W	Current A	Cos $\phi$	Diagram	Dimension		Capacitor $\mu F \pm 10\%$	**Line Current A
									A	B		
70	SB-0070	1,35	65	13	1,0	0,36	Fig A	115	97	12	0,43	
150	SB-0150	2,5	70	20	1,80	0,40	Fig B	116	99	20	0,8	
150	SB-T150	2,18	70	20	1,80	0,40	Fig A	150	137	20	0,8	
250	SB-0250	3,1	70	30	3,0	0,40	Fig B	135	115	32	1,3	
400	SB-0400	4,8	70	35	4,4	0,50	Fig B	146	125	40	2,5	

\* Mean value, measured at 25°C copper temperature

\*\* Cos  $\phi$  > 0,90