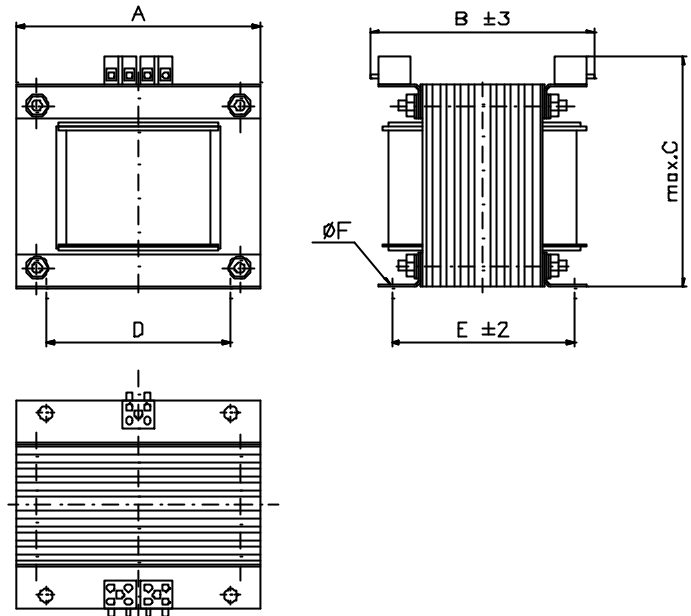


According to VDE 0550/0113, insulation class T40E.
Model: Open transformers, separate windings, IP00 type protection.

Operating Voltage : 0.72 / 3 kV
 Primary : 220 V or 380 V or 500 V \pm % 5 50 Hz
 Secondary : 24 V up to 800 VA
 : 48 V up to 1000 VA
 : 110 V up to 2500 VA
 : 220 V up to 5000 VA

Type	Nominal Rating VA	Short Time Rating $\cos\phi = 0,3$ VA	% Uk	Weight kg	Dimensions (mm)					
					A	B+3	C (max.)	D	E \pm 2	ϕ F
MKT - 50	50	130	9	1.5	84	94	76	70	50	5
MKT - 100	100	225	7	1.9	84	119	76	70	75	5
MKT - 160	160	530	6.54	2.4	96	109	85	80	68	5.5
MKT - 250	250	730	5.45	3.9	108	127	108	90	74	6
MKT - 320	320	1050	6	4.0	108	132	108	90	78	6
MKT - 400	400	1430	5.45	5.4	120	147	123	90	88	6
MKT - 500	500	1900	3.6	8.5	150	152	140	120	112	10
MKT - 630	630	2500	3.5	8.8	150	152	140	120	112	10
MKT - 800	800	3100	3.5	10.5	150	165	140	120	127	10
MKT - 1000	1000	3500	3.3	14.3	150	190	140	120	152	10
MKT - 1600	1600	4800	2.4	16.3	171	186	155	130	128	10
MKT - 2500	2500	7500	2.1	28.5	192	226	172	149	171	10
MKT - 3600	3600	11000	1.9	42.0	250	210	222	200	161	12
MKT - 4000	4000	12300	1.9	45.0	250	220	222	200	171	12
MKT - 5000	5000	15150	1.9	53.0	250	240	222	200	191	12



According to VDE 0550/0113, insulation class T40E.

Model: Open transformers, separate windings, IP00 type protection.

Operating Voltage : **0.72 / 3 kV**

Primary : **220 V or 380 V or 500 V \pm % 5 50 Hz**

Secondary : **24 V up to 800 VA**

: **48 V up to 1000 VA**

: **110 V up to 2500 VA**

: **220 V up to 5000 VA**

Type	Nominal Rating VA	Short Time Rating $\cos\phi = 0,3$ VA	% Uk	Weight kg	Dimensions (mm)					
					A	B + -3	C (max.)	D	E ± 2	$\varnothing F$
MKT - 51	50	130	9	1.5	76	85	86	63,5	55.5	5.5
MKT - 101	100	225	7	1.9	84	105	87	70	75	5
MKT - 161	160	530	6.54	2.4	96	105	97	80	68	5.5
MKT - 251	250	730	5.45	3.9	108	110	112	90	74	6
MKT - 321	320	1050	6	4.0	108	112	112	90	78	6
MKT - 401	400	1430	5.45	5.6	120	128	127	90	88	6
MKT - 501	500	1900	3.6	8.5	150	130	147	125	88	10
MKT - 631	630	2500	3.5	8.8	150	140	185	125	88	10
MKT - 801	800	3100	3.5	10.5	150	155	185	125	102	10
MKT - 1001	1000	3500	3.3	14.3	150	180	185	125	128	10
MKT - 1601	1600	4800	2.4	16.3	171	167	164	130	128	10
MKT - 2501	2500	7500	2.1	28.5	192	225	220	149	171	10
MKT - 3601	3600	11000	1.9	42.0	250	206	269	200	161	12
MKT - 4001	4000	12300	1.9	45.0	250	216	269	200	171	12
MKT - 5001	5000	15150	1.9	53.0	250	238	269	200	191	12