

# ALCE

alce-elektrik.com.tr

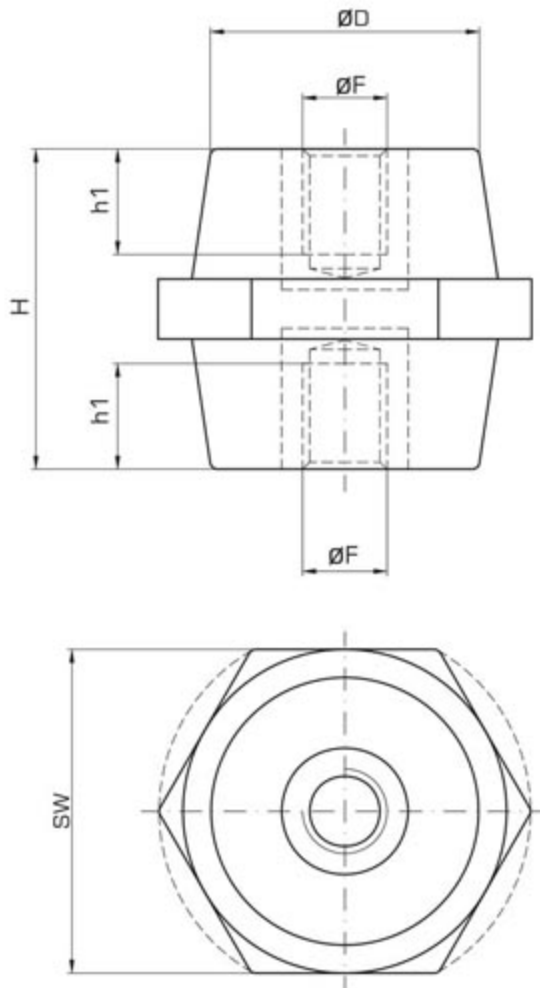
Low Voltage Insulators



# Contents

Standoff insulators type SK	01-02
Post insulators for indoor use SR	03-04
Spacing insulators for indoor use RD	05-06
Spacing insulators for indoor use	07
LV Busbar support	08-12

# Standoff insulators type SK



## Material data

- Glassfibre reinforced polyester (UP), glass content 18%
- Self-extinguishing, halogen free, standard colors brown or red
- Threads: Steel zinc coated (brass upon request)
- Upon request: Steel bolts, zinc coated

Specific weight	ASTM D-792 , DIN 53479	1,75 g/cm <sup>3</sup>
Martens degree	DIN 53462	>200°C
Flexural strength	DIN EN ISO178	90 N/mm <sup>2</sup>
Impact strength	DIN EN ISO 179	25-30 kJ/m <sup>2</sup>
Flammability	UL 94	V0
Glow-Wire Flammability	TDIN EN 60695	960°C
Temperature range		~40° bis +130°C
Surface resistivity	DIN IEC 60093	10 140hm
Volume resistivity	DIN IEC 60093	10 140hm
Dielectric strength	DIN EN 60243-1	150 kV/cm
Tracking resistance	DIN IEC 60112	CTI 600
Water absorption	DIN EN ISO 62	<0,2% (<25 mg)

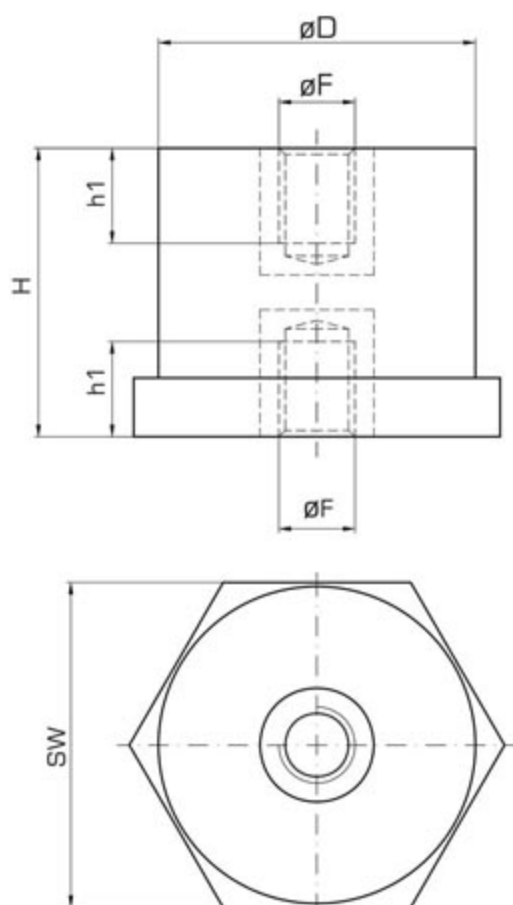
All data given have been determined with standardized test specimens according to applicable material standards. Data and information are given only as a guide and are not binding. No guarantee can be assumed in all situations.

## Standoff insulators type SK

Type	Dimensions (mm)					Service voltage [-kV]	Test voltage [-kV]	Cantilever strenght [kN]	Tensile strenght [kN]	max. Tightening torque [Nm]	Torque srtenght [Nm]	Weight kg/100pcs	Box Qty.
	H	øF	SW	øD	h1								
SK-201704	20	M4	17	15	5	0,6	3	0,6	2	2	4	1,25	100
SK-201705		M5			5					3	6		
SK-201706		M6			5					7,5			
SK-252205	25	M5	22	18	6	1	6	1	3	2,5	8	2,00	100
SK-252206		M6			6					4,5	15		
SK-252506	25	M6	25	17	8	1	6	1,5	4	4,5	15	2,10	100
SK-303006	30	M6	30	26	6	1,5	10	2,5	6	12	20	5,40	100
SK-303008		M8			8			3	6	20	40	5,30	
SK-304008	30	M8	40	36	9	1,5	10	5	9	20	40	8,50	100
SK-304010		M10			9			3	6	40	60	8,80	
SK-353206	35	M6	32	28	8	1,5	12	4,5	5,5	12	20	7,00	100
SK-353208		M8			10			5	6,5	20	40	7,00	
SK-353210		M10			10			5	7	40	60	7,10	
SK-353508	35	M8	35	30	10	1,5	12	5	6,5	20	40	7,80	100
SK-353510		M10			10			5	7	40	60	8,00	
SK-403606	40	M6	36	32	8	2	15	4	6	12	20	9,20	100
SK-403608		M8			10			5	8	20	40	9,80	
SK-403610		M10			12			6	10	40	75	10,8	
SK-404006	40	M6	40	35	8	2	15	4	6	12	20	9,40	75
SK-404008		M8			10			5	8	20	40	10,5	
SK-404010		M10			12			6	10	40	75	11,5	
SK-404012		M12			11			7,5	11	40	60	12,3	
SK-454606	45	M6	46	38	8	2	15	4	6	12	20	14,5	50
SK-454608		M8			10			6	8	20	40	14,8	
SK-454610		M10			12			8	10	40	75	15,3	
SK-454612		M12			15			11	8	11	40	16,0	
SK-503606	50	M6	36	29	8	2	15	4	6	12	20	10,5	80
SK-503608		M8			10			4,5	9	20	40	11,0	
SK-503610		M10			14			4,5	9	40	60	12,6	
SK-503612		M12			15			4,5	9	30	60	13,0	
SK-504012	50	M12	40	28	15	2	15	6	10	40	75	14,5	50
SK-505010	50	M10	50	42	14	2	15	7	13	40	75	19,0	50
SK-505012		M12			15			9	12	70	125	20,7	
SK-604008	60	M8	40	35	10	3	20	2,5	14	20	40	15,0	50
SK-604010		M10			14			4,5	18	40	75	16,2	
SK-605010	60	M10	50	42	14	3	15	6	18	40	75	25,0	32
SK-605012		M12			18			8	19	70	125	26,0	
SK-605508	60	M8	55	43	15	3	15	6	15	20	40	28,0	50
SK-605512		M12			20			9	21	70	105	27,2	
SK-606012	60	M12	60	43	16	3	15	9,5	25	70	105	38,5	36
SK-606016		M16			20			10,5	28	95	150	38,0	
SK-754610	75	M10	46	36	17	3	20	4	16	40	60	23,1	50
SK-754612		M12			20			7	12	70	105	25,0	

(\* ) Values indicated in this table are average values and may vary due to the choice of inserts.

## Post insulators for indoor use SR



### Material data

- Glassfibre reinforced polyester (UP), glass content 18%
- Self-extinguishing, halogen free, standard colors brown or red
- Threads: steel zinc coated (brass upon request)
- Upon request: steel bolts, zinc coated

Specific weight	ASTM D-792 , DIN 53479	1,75 g/cm <sup>3</sup>
Martens degree	DIN 53462	>200°C
Flexural strength	DIN EN ISO178	90 N/mm <sup>2</sup>
Impact strength	DIN EN ISO 179	25-30 kJ/m <sup>2</sup>
Flammability	UL 94	V0
Glow-Wire Flammability	TDIN EN 60695	960°C
Temperature range		~40° bis +130°C
Surface resistivity	DIN IEC 60093	10 140hm
Volume resistivity	DIN IEC 60093	10 140hm
Dielectric strength	DIN EN 60243-1	150 kV/cm
Tracking resistance	DIN IEC 60112	CTI 600
Water absorption	DIN EN ISO 62	<0,2% (<25 mg)

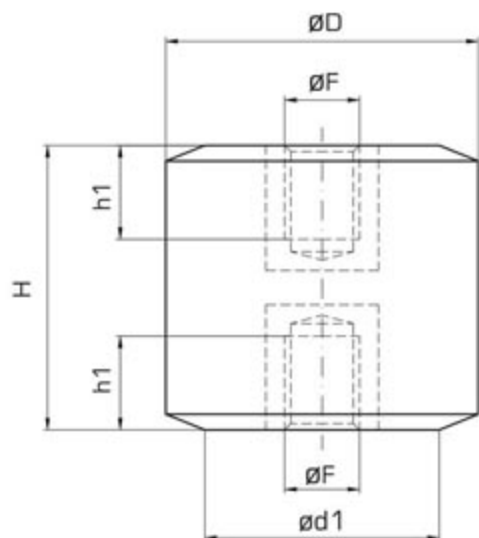
All data given have been determined with standardized test specimens according to applicable material standards. Data and information are given only as a guide and are not binding. No guarantee can be assumed in all situations.

## Post insulators for indoor use

Type	Dimensions [mm]					Service voltage [~kV]	Test voltage [~kV]	Cantilever strength [kN]	Tensile strength [kN]	max. Tightening torque [Nm]	Torque strength [Nm]	Weight kg/100pcs	Box Qty.		
	H	øF	SW	øD	h1										
SR-303006	30	M6	30	30	6	0,75	8	4,5	9	12	20	5,30	80		
SR-303008		M8			8					20				5,60	
SR-304110	30	M10	41	40	9	0,75	8	5,5	9,5	20	35	10,00	45		
SR-402106	40	M6	21	20	10	0,75	8	1,5	4	4,5	20	3,90	110		
SR-402108		M8			10					14				20	4,10
SR-403006	40	M6	30	30	8	1	10	3	9	12	20	7,20	60		
SR-403008		M8			10					14				25	7,30
SR-403010		M10			11					20				25	9,00
SR-404108	40	M8	41	40	10	1	10	7	10	20	30	12,00	27		
SR-404110		M10			12					40				75	13,00
SR-404112		M12			11					35				60	13,00
SR-602106	60	M6	21	20	10	0,75	10	1	5	4,5	20	5,20	70		
SR-602108		M8			10					14				20	6,20
SR-603008	60	M8	30	30	15	1,5	15	1,5	9	14	25	12,80	40		
SR-604108	60	M8	41	40	10	1,5	15	4	16	20	40	16,00	18		
SR-604110		M10			14					40				75	18,00
SR-604012		M12			15					40				75	19,50
SR-806010	80	M10	60	60	18	5	25	9	23	40	100	53,00	8		
SR-806012		M12			20					70				100	53,60
SR-806016		M16			20					95				100	54,30

(\* ) Values indicated in this table are average values and may vary due to the choice of inserts.

## Spacing insulators for indoor use RD



### Material data

- Glassfibre reinforced polyester (UP), glass content 18%
- Self-extinguishing, halogen free, standard colors brown or red
- Threads: steel zinc coated (brass upon request)
- Upon request: steel bolts, zinc coated

Specific weight	ASTM D-792 , DIN 53479	1,75 g/cm <sup>3</sup>
Martens degree	DIN 53462	>200°C
Flexural strength	DIN EN ISO178	90 N/mm <sup>2</sup>
Impact strength	DIN EN ISO 179	25-30 kJ/m <sup>2</sup>
Flammability	UL 94	V0
Glow-Wire Flammability	TDIN EN 60695	960°C
Temperature range		~40° bis +130°C
Surface resistivity	DIN IEC 60093	10 140hm
Volume resistivity	DIN IEC 60093	10 140hm
Dielectric strength	DIN EN 60243-1	150 kV/cm
Tracking resistance	DIN IEC 60112	CTI 600
Water absorption	DIN EN ISO 62	<0,2% (<25 mg)

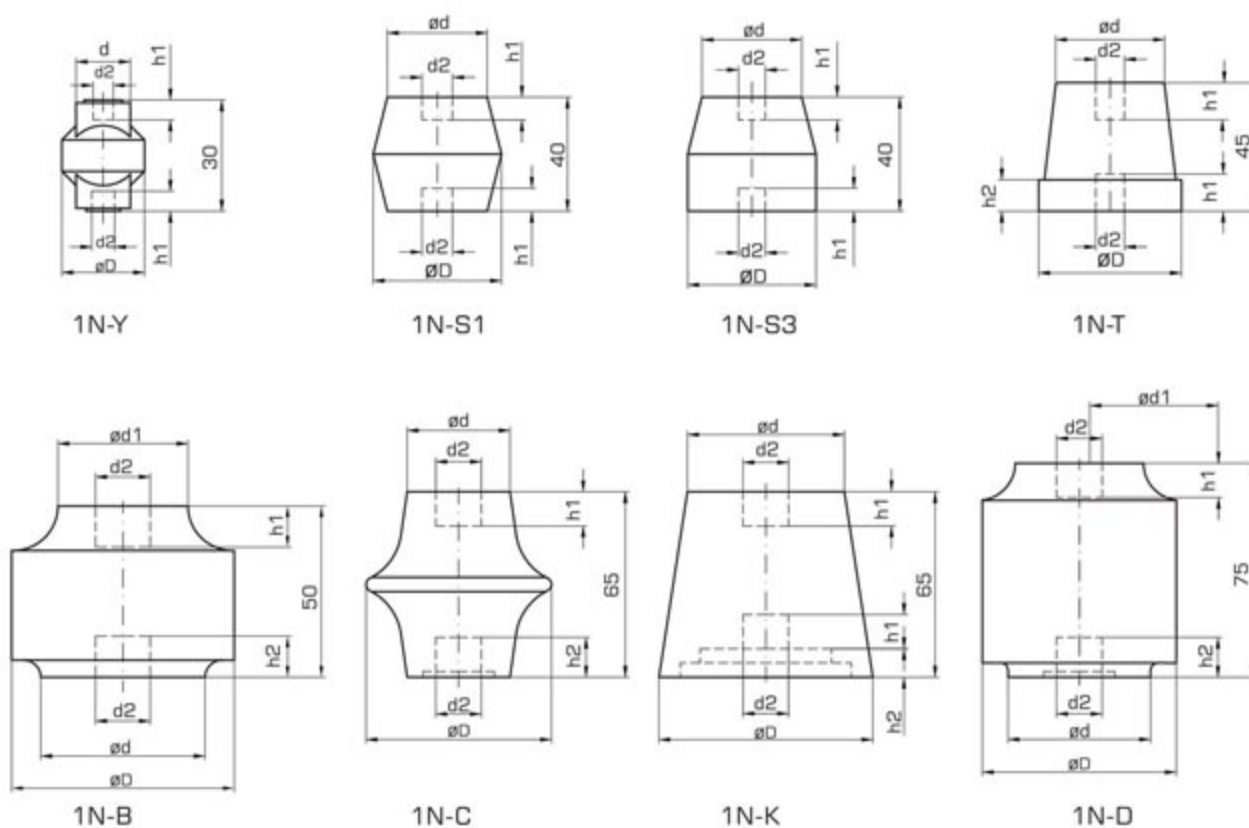
All data given have been determined with standardized test specimens according to applicable material standards. Data and information are given only as a guide and are not binding. No guarantee can be assumed in all situations.

## Spacing insulators for indoor use

Type	Dimensions [mm]					Service voltage [~kV]	Test voltage [~kV]	Cantilever strength [kN]	Tensile strength [kN]	max. Tightening torque [Nm]	Torque srtlength [Nm]	Weight kg/100pcs	Box Qty.	
	H	øF	d1	øD	h1									
RD-303006	30	M6	30	25	8	1,5	10	3,5	9	12	20	5,00	80	
RD-303008		M8			8					20				5,60
RD-404006	40	M6	40	30	8	2	15	4	6	12	20	10,50	75	
RD-404008		M8			10					20				11,20
RD-404010		M10			12					40				12,60
RD-404012		M12			11					60				13,30
RD-504010	50	M10	40	30	14	2	15	4,5	10	40	75	15,80	50	
RD-504012		M12			15					40				15,50
RD-604010	60	M10	40	30	14	2	15	4,5	16	40	75	18,30	50	
RD-604012		M12			15					40				19,50

(\* ) Values indicated in this table are average values and may vary due to the choice of inserts.

## Spacing insulators for indoor use



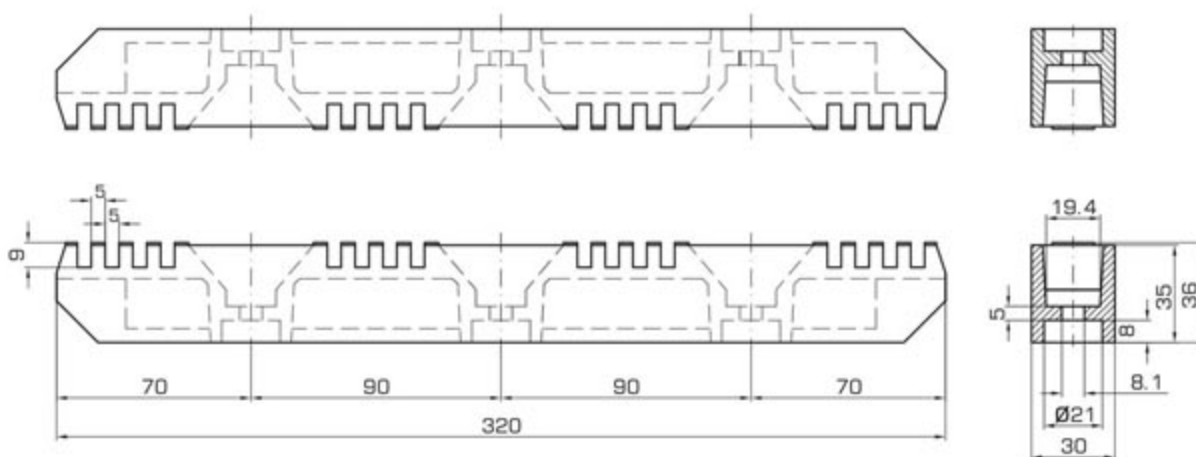
Article No:	Type	Dimensions (mm)						max. Tightening torque (Nm)	Weight kg/100pcs
		H	D	d	d1	d2	h1		
MTA7139000	1N-Y	39	29	14	-	M8	7	14	5,00
MTA7130000	1N-S1	40	45	35	-	M10	9	20	12,0
MTA7140000	1N-S3	40	45	35	-	M10	9	20	13,0
MTA7138000	1N-T	45	50	38	-	M10	13	20	15,0
MTA7187000	1N-B	50	65	48	38	M16	12	40	30,0
MTA7132000	1N-C	65	65	36	-	M16	12	40	23,0
MTA7135000	1N-K	65	75	55	-	M16	12	40	41,0
MTA7134001	1N-D	75	68	50	45	M10	12	40	45,5

Material : BMC (glass-fibre-reinforced polyester)  
 Flammability : UL94-V0  
 Standard color : Brown (RAL 8016)

## LV busbar support



### MBT 4



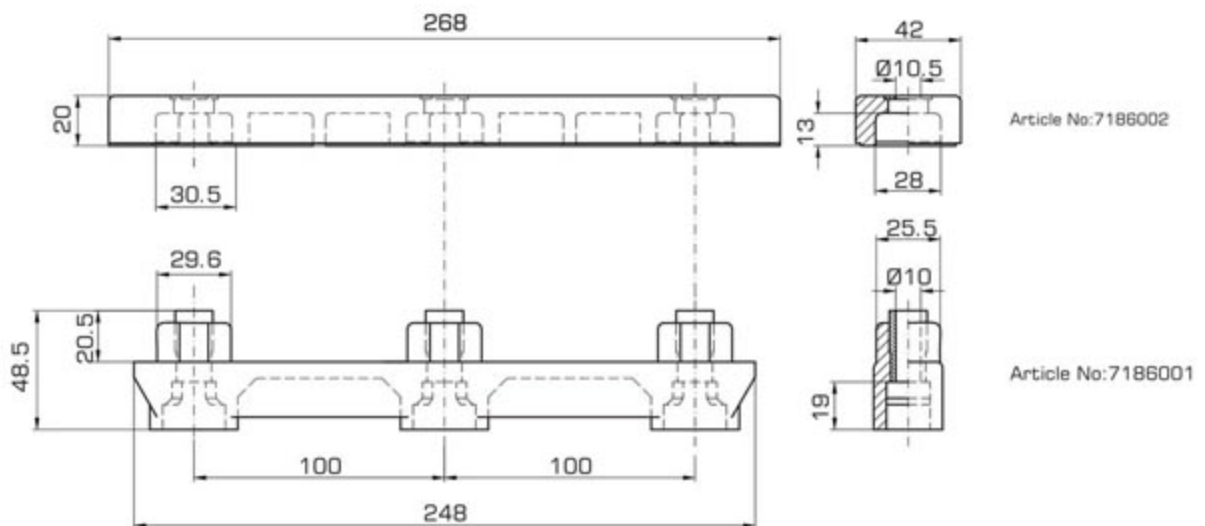
ARTICLE NO	TYPE	Min.Strength [kN]	Weight [kg]
7180001	MBT4X4	5	0.330X2

Material : BMC (glass-fibre-reinforced polyester)  
 Flammability : UL94-V0  
 Standard color: White

# LV busbar support



3x1FY-6



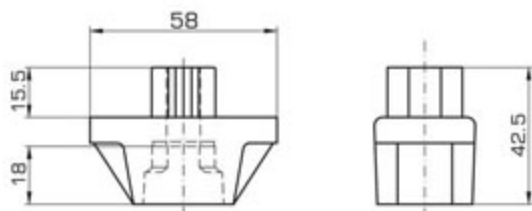
ARTICLE NO	TYPE	Explanation	Min. Strength [kN]	Weight [kg]
7186001	3X1FY-6	3 Phase single bar without neutral	5	0.288
7186002				0.300

Material : BMC (glass-fibre-reinforced polyester)  
 Flammability : UL94-V0  
 Standard color : White

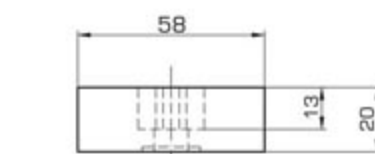
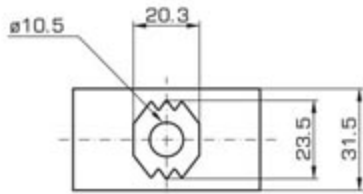
## LV busbar support



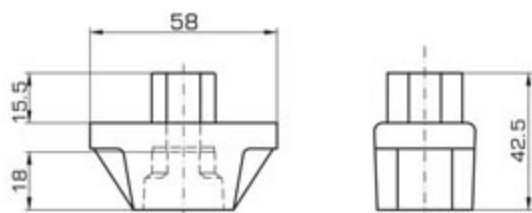
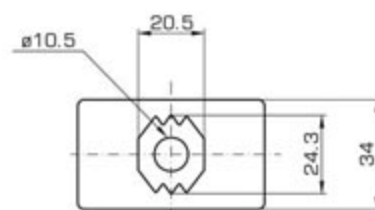
1FY-6



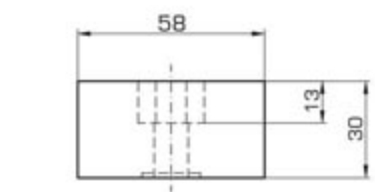
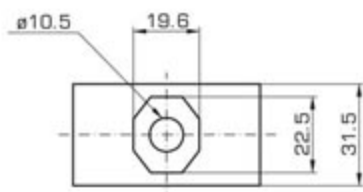
Article No:7185002



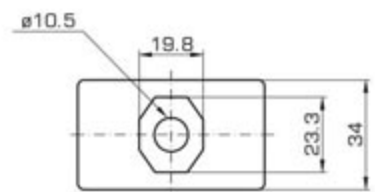
Article No:7185001



Article No:7192002



Article No:7192001



ARTICLE NO	TYPE	Explanation	Min. Strength [kN]	Weight [kg]
7185001	1FY-6	1 Phase single bar without neutral	5	0.052
7185002				0.058
7192001				0.050
7192002				0.056

Material : BMC (glass-fibre-reinforced polyester)  
 Flammability : UL94-V0  
 Standard color : White

## LV busbar support



ARTICLE NO	TYPE	Explanation	Min. Strength [kN]	Weight [kg]
7180---	3X1F	3 Phase single bar	5	0.215x2
7181---	3X1F+N	3 Phase single bar with neutral		0.444x2
7182---	3X2F	3 Phase double bar		0.457x2
7184---	3X3F	3 Phase three bar with neutral		0.418x2
7183---	3X2F+N	3 Phase double bar		0.598x2

Material : BMC (glass-fibre-reinforced polyester)  
 Flammability : UL94-V0  
 Standard color : White

Article No	Holder for bars	Max. Toque [kN]
---011	40x 5	13
---012	50x 5	12
---013	60x 5	12
---014	80x 5	10
---015	100x 5	8
---016	120x 5	8
---021	40x10	13
---022	50x10	12
---023	60x10	12
---024	80x10	10
---025	100x10	8
---026	120x10	8

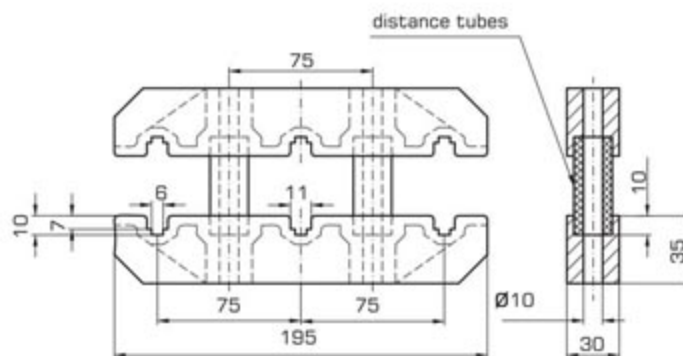
### SAMPLE ORDER:

Article no: 7180013

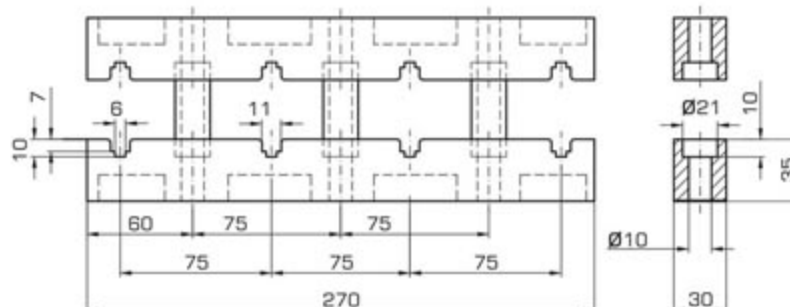
Type :3x1F for bar (60x5)

## LV busbar holders

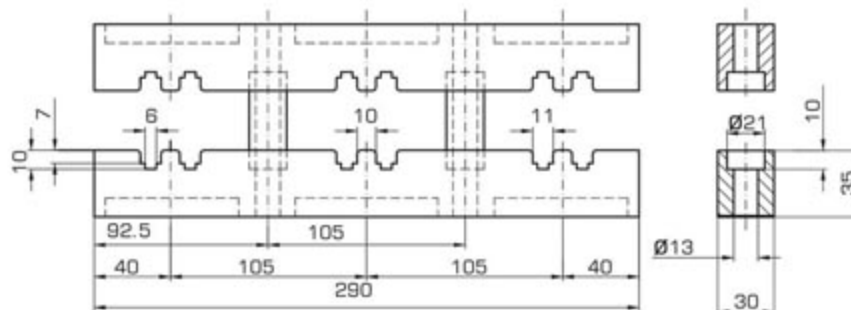
3 x 1F



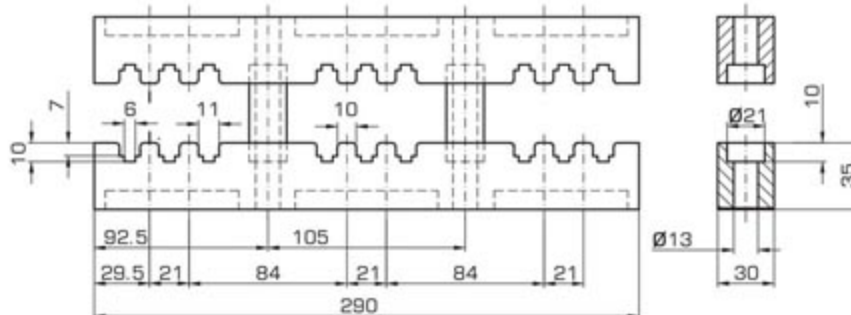
3 x 1F + N



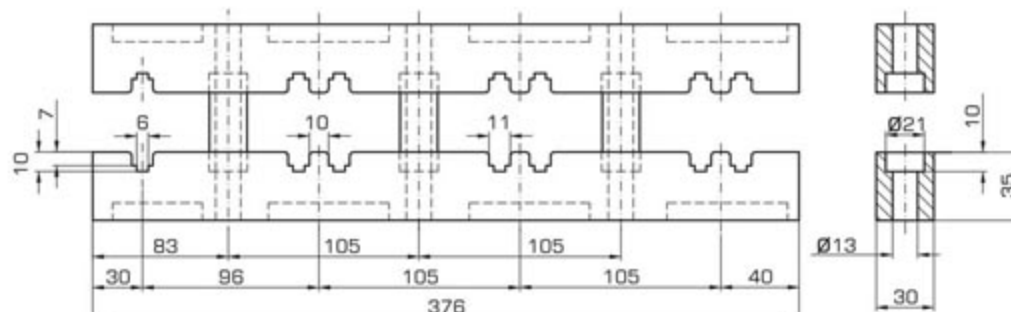
3 x 2F



3 x 3F

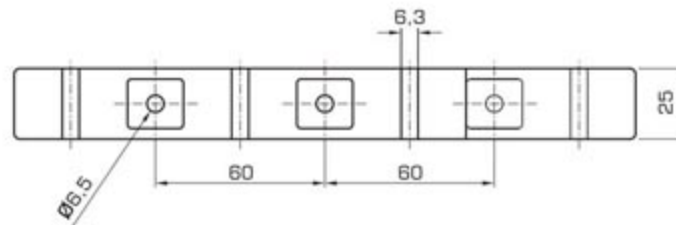
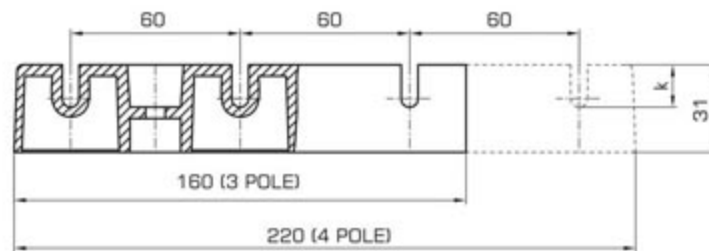


3 x 2F + N

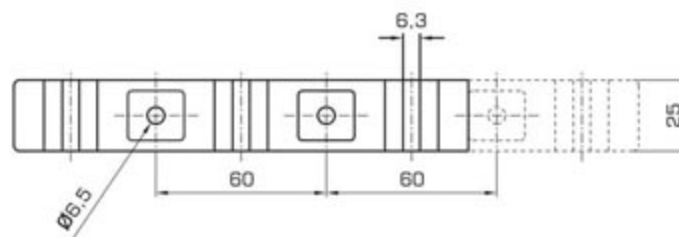
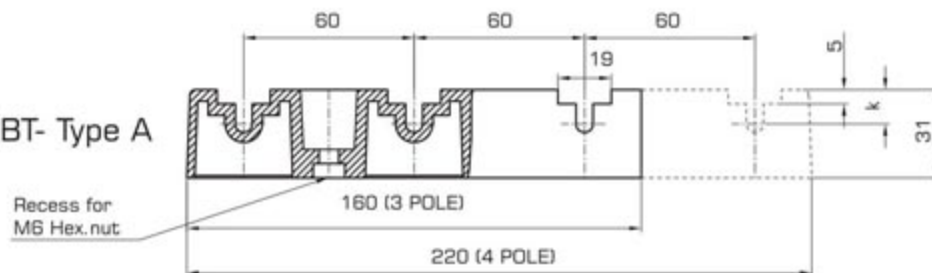


# LV busbar support

CBT- Type A



CBT- Type A



ARTICLE No	TYPE	POLES	k [mm]	WEIGHT [kg]
714801	CBT3-A	3	11.5	0.082
714901	CBT3-B	3	11.5	0.081
714802	CBT4-A	4	11.5	0.113
714902	CBT4-B	4	11.5	0.112
716301	CBT3-A	3	15	0.082
716501	CBT3-B	3	15	0.081
716302	CBT4-A	4	15	0.113
716502	CBT4-B	4	15	0.112

Material : Glassfibre reinforced PAG/6  
Standard color: Red

Notes:

Lined writing area for notes.





Notes:

Lined writing area for notes.





Notes:

Lined writing area for notes.





Notes:

Lined writing area consisting of horizontal lines for notes.

