

Support type indoor current transformers



Indoor current transformer

Type AB12

Type AB12-2

Type AB12-3

Cast-resin

Up to 3 cores *

On request with capacitive layer

On request with barrier

Technical Data

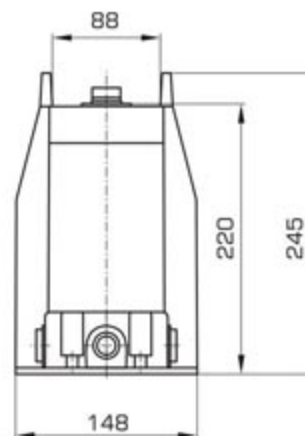
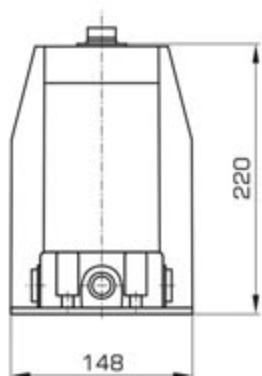
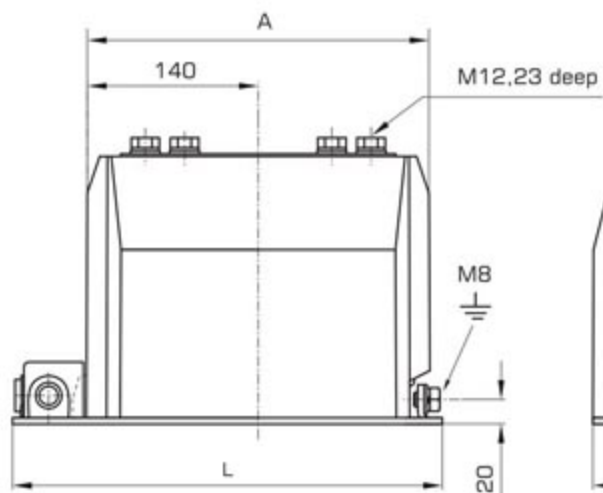
TYPE		AB12	AB12-2	AB12-3
Operating voltage (maximum)	[kV]		12	
Rated power-frequency withstand voltage (1 minute)	[kV]		28	
Rated impulse test voltage (1,2/50 μ s)full wave	[kV]		75	
Rated frequency	[Hz]		50 - 60	
Primary rated current	[A]		10 - 2500	
Primary reconnection	[A]		2x10 - 2x600	
Secondary rated current	[A]		1 - 5	
Rated short-time thermal current I _{th} (1s)	[kA]		max. 60 (max. 1000 x I _n)	
Rated dynamic current I _{dyn}	[kA]		max. 120 (2,5 x I _{th})	
Short-time load (mechanical)	[N]		5000	
Insulation class			E	
Ambient temperature	[°C]		-5.....+40	
Altitude	[m]		1000	
Standard			Acc. to customer requirements	
Weight (approx.)	[kg]	20-24	28-32	33-36

On request operating voltage of 17,5kV is available.

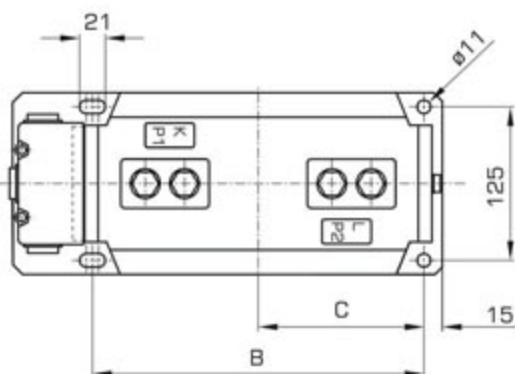
* For more cores please contact your ALCE representative for feasibility.

Support type indoor current transformers

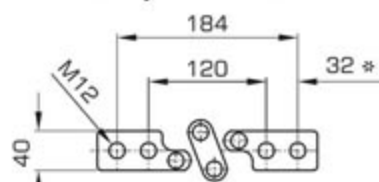
Only AB12 is acc.to DIN 42600 (part B) Secondary terminal is on P1 side (on request, on P2 side)



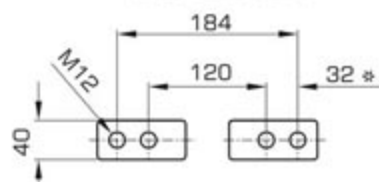
with barrier



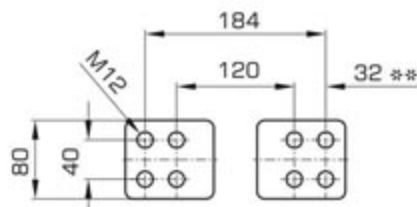
Primary connection bars



$I_n \leq 2 \times 600A$



$I_n < 1500A$



$1500A \leq I_n \leq 2500A$

(*) On request 40mm (without barrier)
 (**) On request 40 mm (without barrier) or 24mm.

TYPE	A	B	C	L
AB12	280	270	135	350
AB12-2	320	310	175	390
AB12-3	380	370	235	450

Legend		Tightening torque
Primary terminal	M12	60-70Nm
Ground terminal	M8	16-20Nm
Secondary terminal	M5	2-2,5Nm